

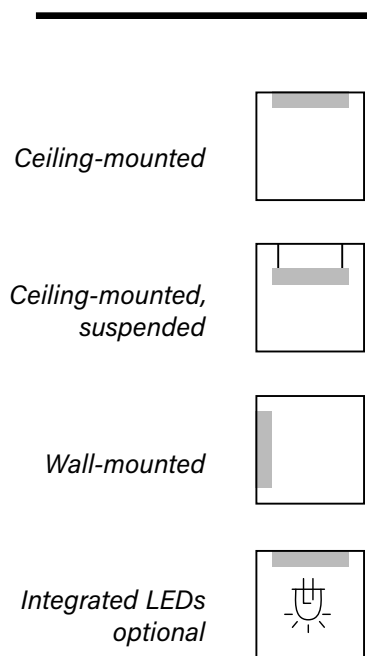
Screen50 Ceiling- / Wall Absorber

1 Ceiling- & Wall Absorber | Acoustic Elements

Customized Acoustic Solutions

Product





Screen50 square Ceiling- & Wall Absorber

*Optionally with LED or
UV offset printing*

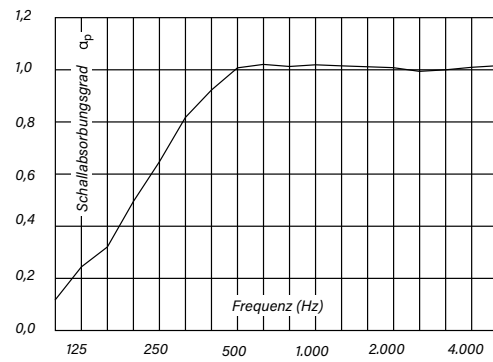
The fabric-upholstered ceiling absorbers from the **Screen50 square & round** series (total thickness 50 mm), which are lovingly finished with a quilted seam, not only make an important contribution to acoustic room damping, but are also important elements of interior design. With the absorbers, which are available in 16 different sizes and formats, architects and planners have a versatile product to realise their ideas. **Screen50** elements are not only available for wall or direct ceiling mounting. By means of a stainless steel suspension kit, the round absorbers can be suspended from the ceiling individually and easily adjusted in height. The rectangular formats, based on an 800 mm and a 1,000 mm module, are precisely matched to each other. The mounting distance to each other is designed for 30 mm and so different formats can be combined with each other. The soft and harmonious character of the fabric



upholstery is emphasised by the design language of the rounded corners with a radius of 50 mm. The round formats in 6 sizes from 470 to 1,200 mm offer further creative scope. Available in 17 fabric collections and with over 500 colours, they provide inspiration for creative and at the same time highly sound-absorbent wall design. A suspension fitting with precise height adjustment guarantees quick and safe installation. The ceiling & wall absorbers of the **Screen50** series are also available in other sizes and dimensions on request.

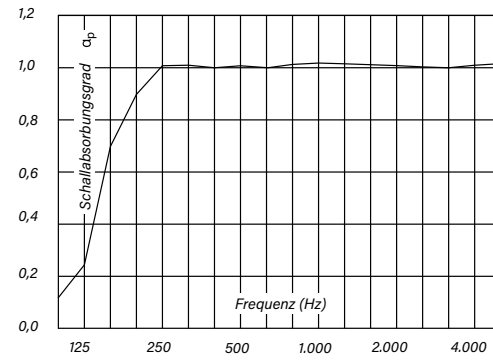


Screen50 Ceiling Absorber - direct mounted
20 mm ceiling distance



Sound absorption level -
octave centre frequency

Screen50 Ceiling Absorber - suspended
from 400 - 1500 mm ceiling distance



Sound absorption level -
octave centre frequency

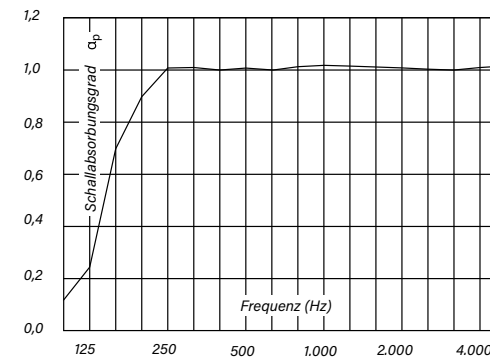
*The AOS fabric edge:
Highest quality craftsmanship
with attention to detail*





With appropriate positioning and planning, all lighting requirements for visual tasks for an office workplace according to DIN EN 12464-1 can be met.

Screen50 LED Ceiling Absorber - suspended from 400 - 1500 mm ceiling distance

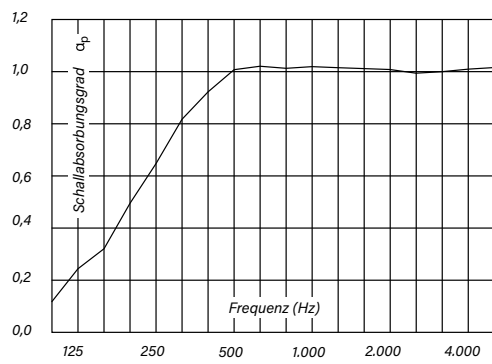


Sound absorption level - octave centre frequency

Screen50 square & round Wall Absorber



Screen50 Wall Absorber



Sound absorption level - octave centre frequency



Screen50 square & round wall absorber in basic format 800 mm



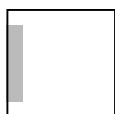


Screen50 Motiv Wandabsorber



[Screen50 Ceiling- & Wall Absorber >>](#)

Wall-mounted



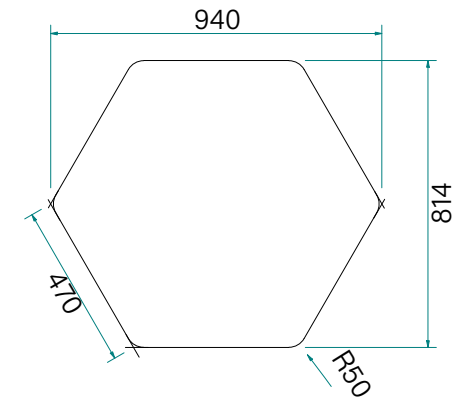
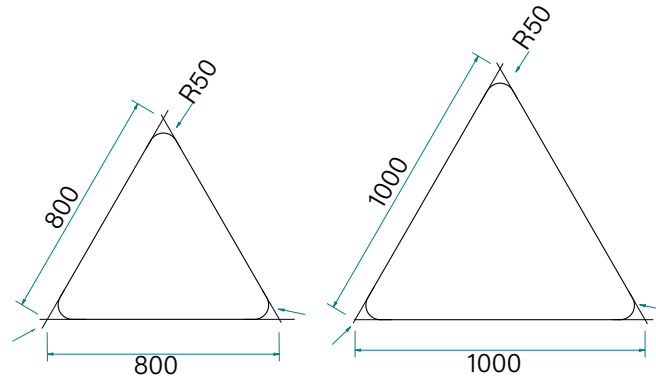
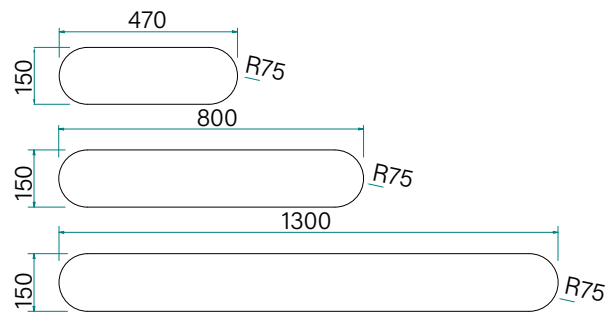
Screen50 - beat - tris -rhomb -honey Wall Absorber

*Design Line freely
combinable*

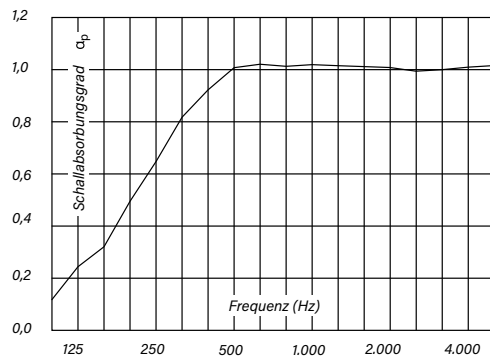
The fabric-upholstered ceiling absorbers from the **Screen50 square & round** series (total thickness 50 mm), which are lovingly finished with a quilted seam, not only make an important contribution to acoustic room damping, but are also important elements of interior design. The formats and sizes of the **beat, tris, rhomb** and **honey** design lines are coordinated with the previously introduced wall absorbers of the **Screen50 square** family. The 4 design lines presented here offer architects and planners many possibilities and suggestions for realising their ideas. Depending on the design, the formats are based on the basic dimensions of 470, 570, 800, 1000 and 1300 mm. This means that the individual design lines can also be combined with each other. The mounting distance to each other is designed to be 30 mm, so that different formats can be combined with

each other. The soft and harmonious character of the fabric upholstery is emphasised by the design language of the rounded corners with a radius of 50 mm. In contrast, the radii of the **beat** design line are 75 mm. Offered in 17 fabric collections and with over 500 colours, they provide inspiration for creative and at the same time highly sound-absorbent wall design. A suspension fitting with precise height adjustment guarantees quick and safe installation. The wall absorbers of the **Screen50** series are also available in other sizes and dimensions on request.

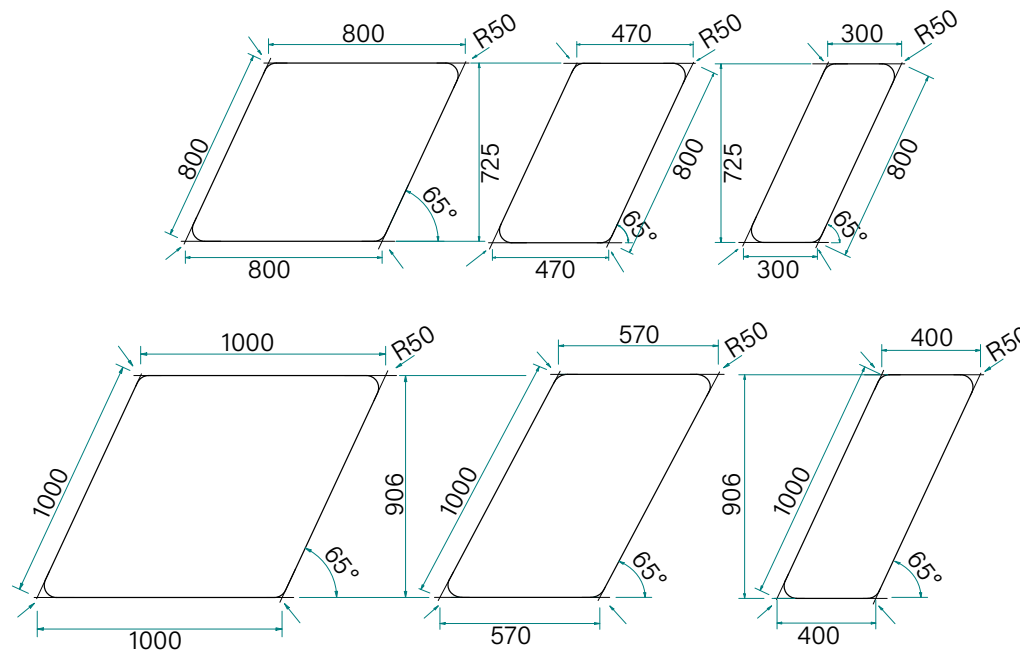




Screen50 Wall Absorber



Sound absorption level - octave centre frequency



[Screen50 Ceiling- & Wall Absorber >>](#)

Impressum

published by
Akustik Office Systeme GmbH
Lenabergweg 5
D-91626 Schopfloch

Editor
Henrik Behnert, AOS

Layout
Sabine Fleischmann, AOS

Photos
Damian Tauchert, Berlin
for AOS

@2024



Akustik Office Systeme GmbH
Lenabergweg 5
91626 Schopfloch
Germany

Phone +49 9857 97559-0

Fax +49 9857 97559-29

info@akustik-office-systeme.de

www.akustik-office-systeme.de