

PhoneBooth

Retreats are indispensable in everyday office life. Because whether in a small group office or open space, the quality of the acoustic conditions is the measure of concentration and performance. and performance. It doesn't have to be the closed room-in-room solution that leads us to good room acoustic solutions. Open on one side and acoustically shielded on three sides, the PhoneBooth models are very efficient and can be easily and flexibly integrated in existing spaces as well as in new concepts.

The series, with its 55 mm fully upholstered wall construction, impresses with its clear, unobtrusive design language and a sound absorption capacity that muffles even loud conversations. The models are available in a height of 2000 mm, a width of 930 mm, a depth of 800 mm and in three versions that differ in the design of the side panels. A storage board incl. Powerdot with power and USB charger, as well as a magnetic, fabric-covered organiser wall provide the necessary infrastructure to handle even intensive conversations effortlessly. The AOS Phone Booth series is available in 17 different fabric collections - divided into 5 price groups and an almost unlimited number of colours and structures. A comprehensive range of organisational accessories in natural oak or steel powder-coated RAL 9005 complete the model family.

Supplied disassembled into individual ceiling and wall elements for assembly on site.



Data PhoneBooth

Concentration and privacy in the OpenSpace

Height 2000 / width 930 / depth 800 mm

Wall thickness 55 mm

Fully upholstered version

Highly sound-absorbent according to
DIN EN ISO 354

Filler B1 flame retardant according to DIN 4102-1

Filler Standard 100 by OEKO-TEX®

Storage board in decor at height 1050 mm

1 Powerdot integrated in the shelf with 1 x 220 volt
and 1 x USB connection each

17 fabric collections

Optional with coustic filling made of
virgin sheep's wool 100% sustainable

Extensive organisation and presentation accessories,
natural oak or graphite steel, magnetic

Model variants

V1



V2

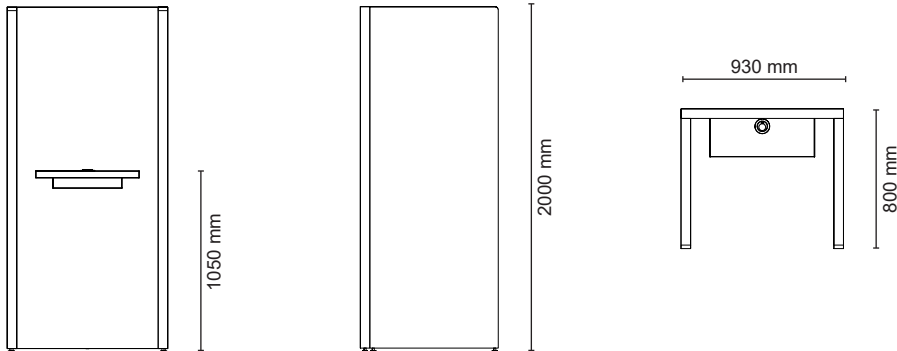


V3

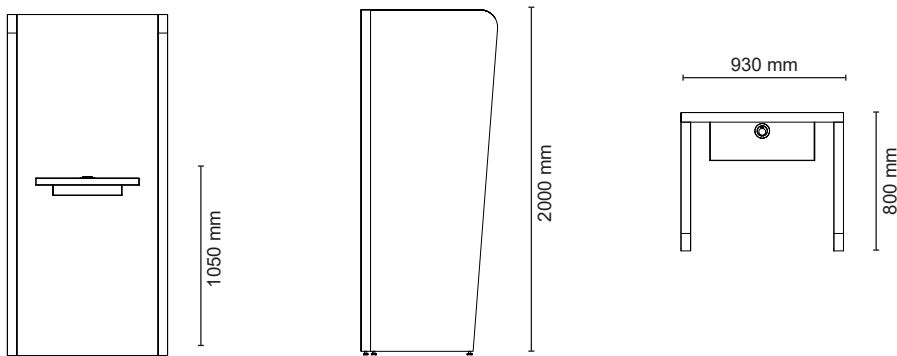


Model views

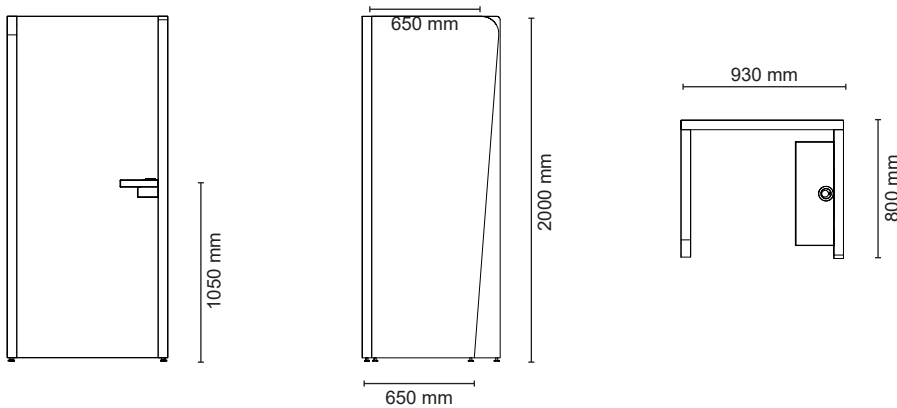
V1



V2



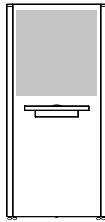
V3



Equipment – magnetic field (placed above the storage board)

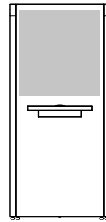
V1

Back inside
magnetic from
height 1150 mm



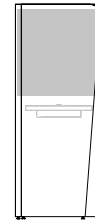
V2

Back inside
magnetic from
height 1150 mm



V3

Inside right side
magnetic from
height 1150 mm



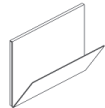
Note: Walls with magnetic substructure are supplied including 2 „Steel 25“ office magnets

Requirements: Magnets with medium holding force (up to 8 kg), diameter 25 mm required

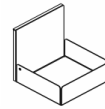
Accessories (H x W x D)

Powder coated steel RAL9005

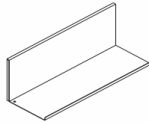
Magazine board
(260x300)



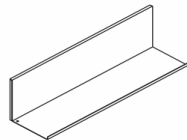
Note box
(110x110x110)



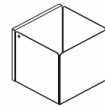
Storage board S
(110x300x100)



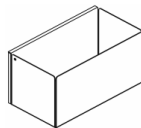
Storage board L
(110x400x100)



Utensil box S
(110x110x110)



Utensil box L
(110x200x110)

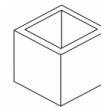


Multi-function hook
(110x30x20)

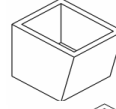


Oak nature

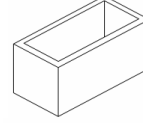
Wooden utensil box S
(110x110x110)



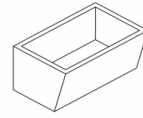
Wooden decoration box S
(110x110x110)



Wooden utensil box L
(110x200x110)



Wooden decoration box L
(110x200x110)



Wooden multi-function hook
(50x25x25)



Magnet „Steel 25“
(diameter 25mm)

no illustration

PhoneBooth 55 mm

Sound absorption coefficient a_p per DIN EN ISO 354

125 Hz	a_p 0,33
250 Hz	a_p 0,59
500 Hz	a_p 0,77
1000 Hz	a_p 0,87
2000 Hz	a_p 0,94
4000 Hz	a_p 0,96

Rated sound absorption coefficient a_w 0,80 (H)

DIN EN ISO 354 test certificate